



**YOUR WIND
PARTNER**

Hybrid Diesel Power System

YWP10000C



	Standard version	Options
Dimension (L x W x H)	3 x 2.4 x 2.6m	--
Battery¹		
Type	LiFePO4	--
Capacity	19.2kWh	28.8kWh or 38.4kWh
Inverter/charger		
Nominal power	10kVA	--
Nominal voltage AC	230V (50Hz)	--
Nominal voltage DC	48V	--
Generators		
Output power	10kW	--
Output voltage	230V (50Hz)	--
Diesel tank	1000L	--
Output²		
24V DC	1 x 384W	--
48V DC	1 x 1500W	2 or 3 outputs
230V AC	1 x 1500W	2 or 3 outputs
		120V AC inverter (0.4kW to 5kW)
SmartSolar MPPT		
PV-array	--	2 pcs. (660W) or 4 pcs. (1320W)
Roof hatch	--	✓
Ventilation inside	✓	
Catch basin (leakage)	✓	--
Safety		
Fire detection	--	✓
Fire extinguisher	--	✓
Surveillance camera	--	✓

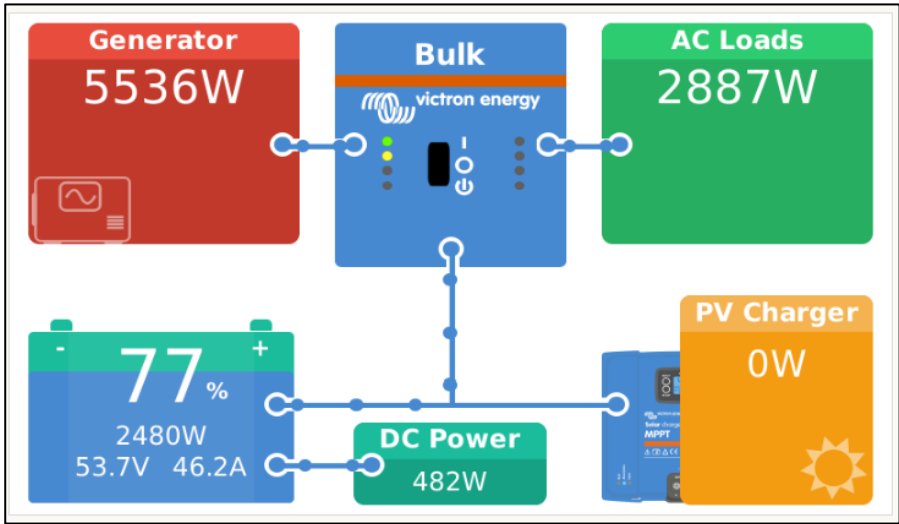
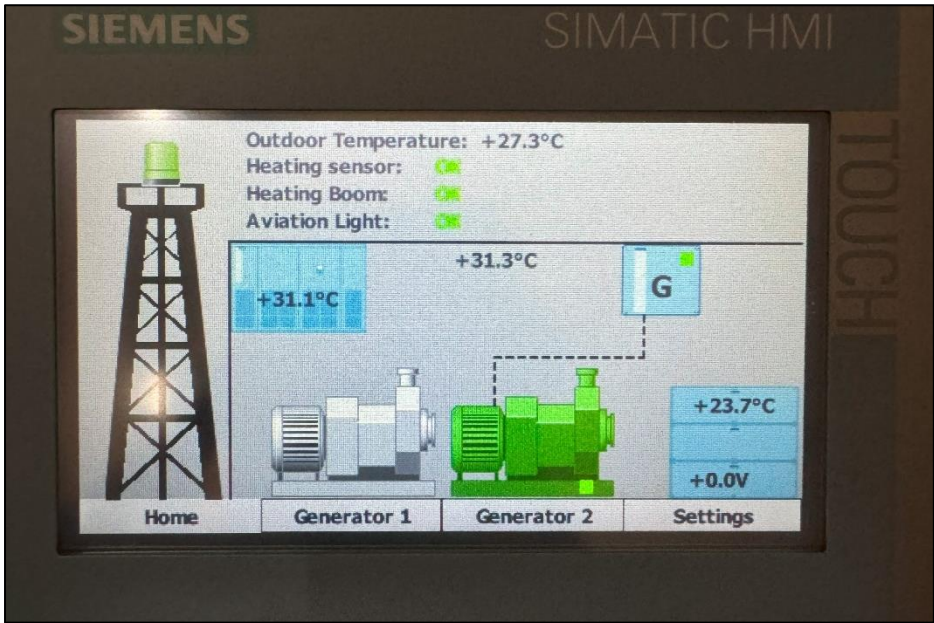
¹ Battery packaged can be upgraded by 2 or 4 extra batteries to a total of 6 or 8 batteries.

² 120V AC can be added if needed. From 0.4kW to 5kW.
2 or 3 outputs can be added to 48V DC or 230V AC.



"High reliability and longer time between maintenance due to two generators"

"Comprehensible overview of generators, temperatures and heating"



"Online overview of battery voltage, generator power output and power consumption"